

Circulating Water Temperature Control System

Hydrotherm II Temperatures to 250°F

Mokon's Hydrotherm circulating water temperature control system is engineered to improve accuracy, reliability of operation and increase output. The Hydrotherm has the highest quality components and construction materials in the industry with non-ferrous and stainless steel piping and connections, which do not rust or contaminate water.

The Hydrotherm surpasses all competitive systems by providing stainless steel as the main component for wetted surfaces. The Hydrotherm's stainless steel components include a stainless steel pump, housing, impeller, heater canister and pump suction manifold.

All Hydrotherm systems meet NFPA 79 (National Fire Protection Association) electrical safety standards and come standard with a UL 508A labeled electrical sub-panel. All of these features and more, combined with our extended warranty, make the Hydrotherm an easy choice for delivering precise and accurate temperature control.



Features and Benefits

Stainless steel construction (wetted surfaces)

Compact and portable

Microprocessor-based controller

Control panel with indicating lights for mode of operation

Suction and discharge pressure gauges

Improved energy efficiency, small hold-up volume and energy-efficient heater design

Easy access cabinet

UL 508A labeled electrical sub-panel

Meets NFPA 79 electrical safety standards

Specifications

Model	Pump	Flow Rate & Pressure	Cabinet Dimensions (LxWxH)*9kW	Process Connection	Supply/Drain
HT2HY9KW	¾ hp	25 gpm @ 26 PSI	27" x 11" x 24"	1.25" NPT	½" NPT
HT2HX9KW	1 hp	30 gpm @ 32 PSI	27" x 11" x 24"	1.25" NPT	½" NPT
HT2HR9KW	1-½ hp	40 gpm @ 32 PSI	27" x 11" x 24"	1.25" NPT	½" NPT
HT2HW9KW	2 hp	50 gpm @ 32 PSI	27" x 11" x 24"	1.25" NPT	½" NPT
HT2HN9KW	3 hp	60 gpm @ 34 PSI	27" x 11" x 24"	1.25" NPT	½" NPT

*Hydrotherm systems are available in a variety of voltages and capacities. Please contact us for more information.

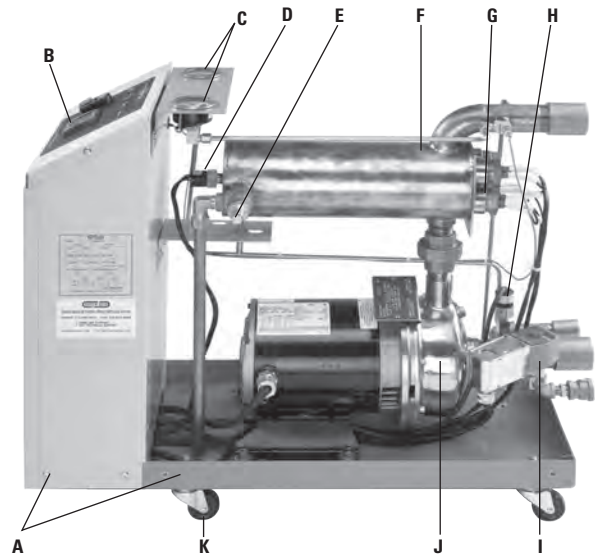
Circulating Water Temperature Control System

Hydrotherm II Temperatures to 250°F



Standard Features

- A** Hybrid-epoxy powder coated cabinetry (14ga. base/16 ga. electrical enclosure)
- B** Microprocessor-based controller in easily accessible control panel
- C** Suction and discharge pressure gauges
- D** High temperature safety shut-off switch
- E** Pressure relief valve
- F** Horizontal stainless steel heater canister
- G** Copper heating elements mounted in back of canister for easy access
- H** Low pressure safety shut-off switch
- I** Solenoid cooling valve
- J** Stainless steel pump
- K** Casters for easy portability
- L** Automatic air purge (not shown)
- M** NFPA 79 and UL 508A labeled electrical sub-panel (not shown)



Options

Mokon offers a variety of options and accessories to meet specific customer needs. Typical requests include audible and visual alarms, solid-state heater relay, emergency stop, power cord, process fluid purge, high/low heat switching, thermometers, 7-day/24-hour timer, valved process bypass, remote set point and retransmission, and other voltages and wattages. Please contact us for more information.

E+ Energy Savings Package

- Insulated heater canister reduces heat loss by 60%
- 4-20mA PID control matches output to process demand
- SCR switching for faster response and extended heater life
- Forced ventilated cabinet extends electrical component life

Our engineers will also custom design systems to meet specific process requirements. For more information on Mokon's Hydrotherm or other products call our sales department today.

Product Testing & Warranty

All Mokon temperature control systems are qualified for service by rigid, simulated field tests, and are 100% factory calibrated and run tested. Mokon offers these extended warranties as standard on the Hydrotherm system:

- 3 years on system
- 5 years on microprocessor controller and safeties
- Lifetime seals, piping and canister

Delivery

As described, the Hydrotherm is built with many unmatched features and capabilities. We are so confident you will be satisfied with our design that we offer a 30-day performance evaluation plan. Mokon also stocks the Hydrotherm system for immediate delivery. Call today for your new system.