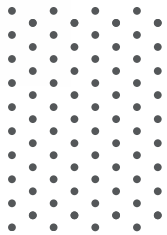
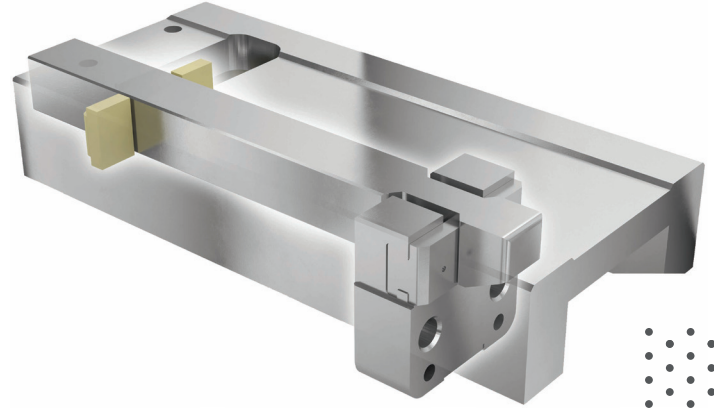


EXTERNAL LATCH LOCKS

DME's Internal Latch Lock Allows Positive and Precise Positioning of Floating Plates

- Ideal for molds with floating plates, including stripper plates & 3-plate molds
- Floating plates are positively locked in place during mold opening and closing, preventing potential mold damage
- Ensures floating plates will be where they should be throughout the life of the mold
- Positively and precisely positions plates every time the mold opens and closes, allowing molds to run faster
- Simplifies mold design while improving design flexibility
- Designed and engineered to hold large loads while saving space inside the mold



ITEM NUMBER SA(W1)-(L1)-(D1)	w1	L1	D1	x1	w2	L2	x2	w3	L3	x3	w4	d4	x4	d5	x5	w6	L6	x6	L7	L9	STROKE 1																				
SA55-130-00	55	130	00	23	32.2	32.6	14	34	15	23	22	4	10	M6	7	12.4	130	12.4	15.6	10.5		4-60																			
SA55-130-15			15														160																								
SA55-130-25			25														130																								
SA55-160-00		160	00																																					4-90	
SA55-160-15			15																																						160
SA55-160-25			25																																						160
SA65-150-00	65	150	00	26	38.2	35	16.3	40	16	25	26	4	10	M8	10	16.4		150	15.4	17	12																				5-80
SA65-150-18			18															200																							
SA65-150-32			32															150																							
SA65-200-00		200	00																																				5-120		
SA65-200-18			18																																					200	
SA65-200-32			32																																					200	
SA80-200-00	80	200	00	31	49.2	42	19	52	20	30	32	5	12	M10	12	20.4			200	16.4	20	14																			6-110
SA80-200-25			25																250																						
SA80-200-50			50																200																						
SA80-250-00		250	00																																			6-160			
SA80-250-25			25																																				250		
SA80-250-50			50																																				250		
SA95-250-00	95	250	00	38	62.2	54	24	66	27	38	40	6	15	M12	14	25.4				250	23	25																	16		7-140
SA95-250-30			30																	300																					
SA95-250-55			55																	250																					
SA95-300-00		300	00																																		7-190				
SA95-300-30			30																																			300			
SA95-300-55			55																																			300			